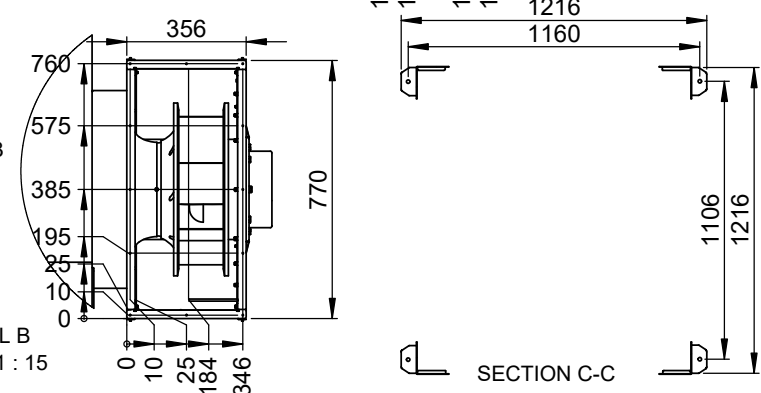
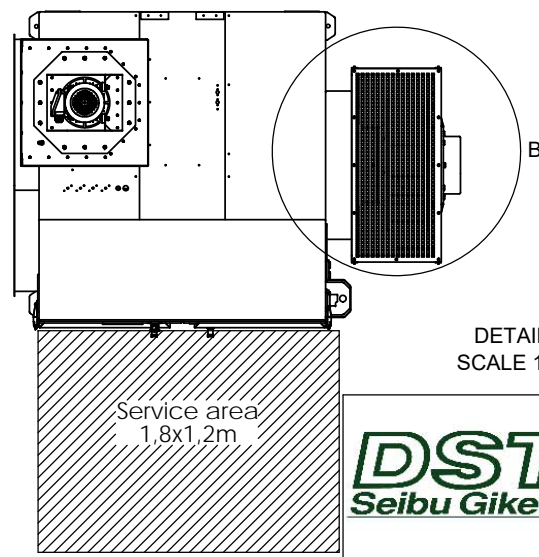
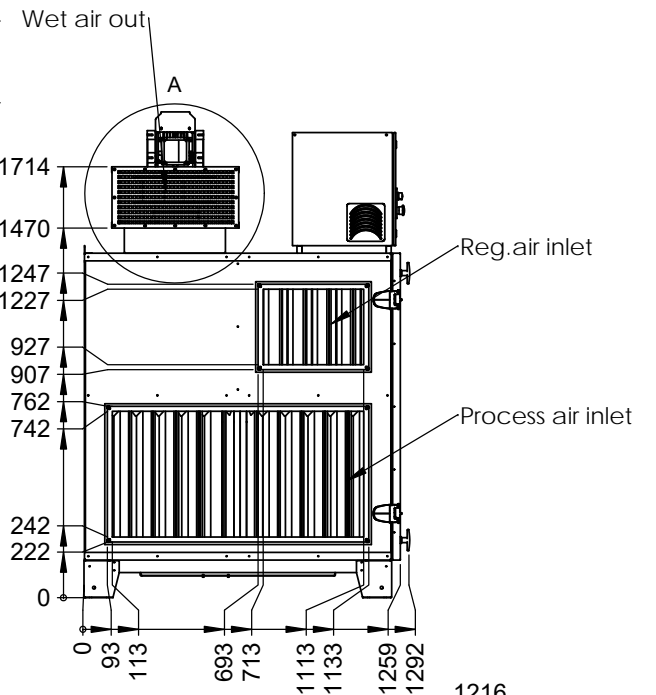
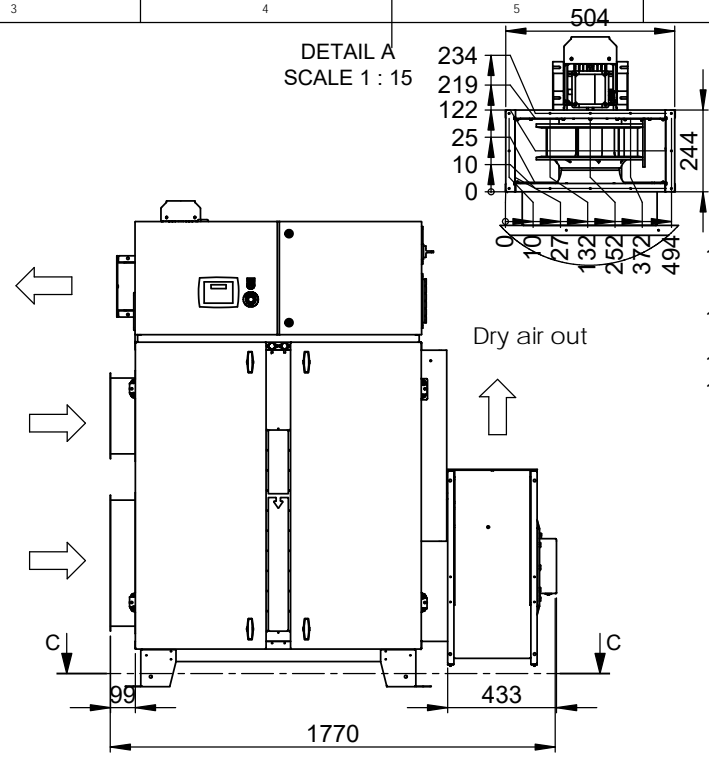
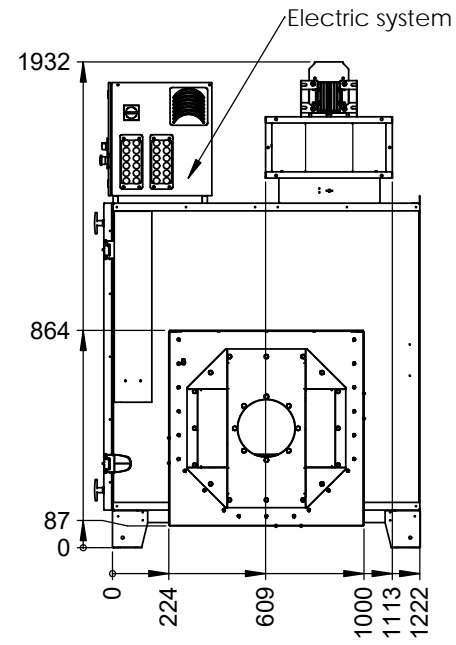
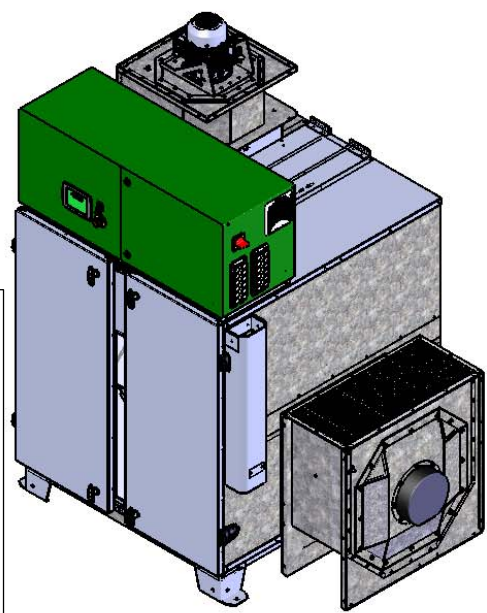


This document and its contents are the exclusive property of DST Seibu Giken and must not be copied, reproduced, transmitted or communicated in any form or by any means without the express permission of DST Seibu Giken.



Seibu Giken DST AB
+46 8 445 77 20
www.dst-sg.com

Designed by Aynur P	Date 2018-05-22
Drawn by Aynur P	Date 2018-05-22
Approved by	Date
Material	Thickness t=
Status Construction	Tolerance ISO 2768-1m
Scale 1:20	Format A3
Sheet/Sheet 1/1	Rev Part 00+
Weight (Kg) 338.955	

Title/Description Installationsritning RLZ-101R ICE Installations drawing	
RLZ-101	
Drawing no DST10391	Rev 00+