

Dehumidifier Recusorb

RL-71,-71 ICE, -71LR



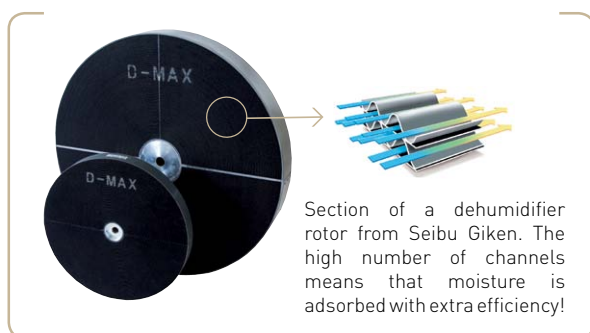
Dehumidifying capacity at 20°C / 60%RH

13 - 17 kg/h

Dry air flow

2500 - 3200 m³/h

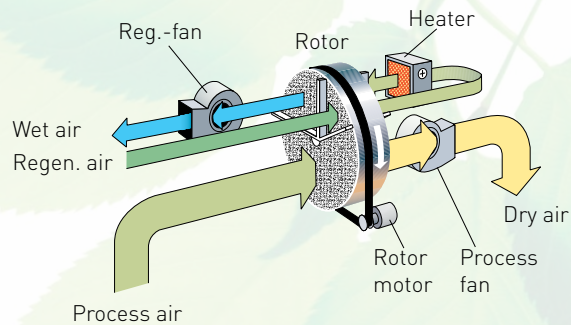
- Excellent performance in all climates
- Built-in heat recovery
- Duct connections
- Stainless steel chassis
- Washable rotor
- Possible built-in options:
 - Frequency inverters
 - M5 and F7 filters
 - Linear control of the heater
 - Condensation insulation



Section of a dehumidifier rotor from Seibu Giken. The high number of channels means that moisture is adsorbed with extra efficiency!

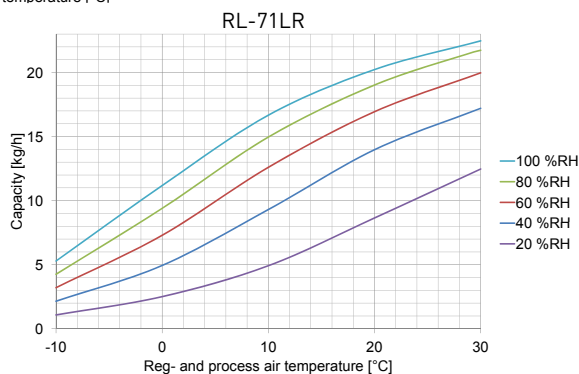
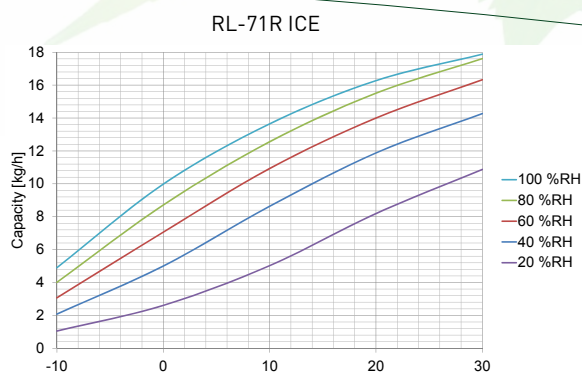
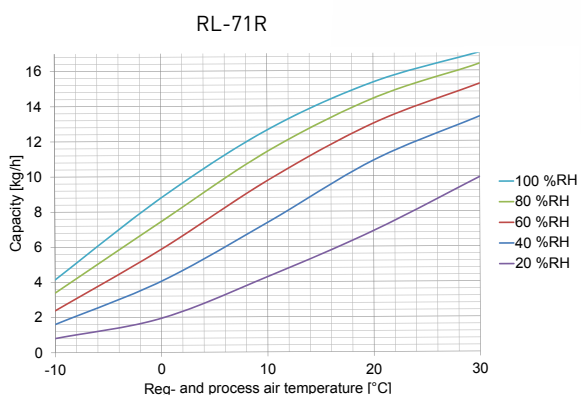
TECHNICAL DATA

Dehumidifier model	RL - 71	RL-71 ICE	RL-71LR
Nominal capacity ¹ (kg/h)	13	14	17
Dry air flow ² (m ³ /h)	2500	3000	3200
Static pressure at disposal (Pa)	400	400	200
Wet air flow ² (m ³ /h)	800	800	1000
Static pressure at disposal (Pa)	300	300	200
Heater power ³ (kW)	17	17	24
Maximum electric consumption (kW)	20,3	21,1	28,1
Supply fuse 3 x 400V 50Hz (A)	50	50	63
Weight (kg)	190	195	196

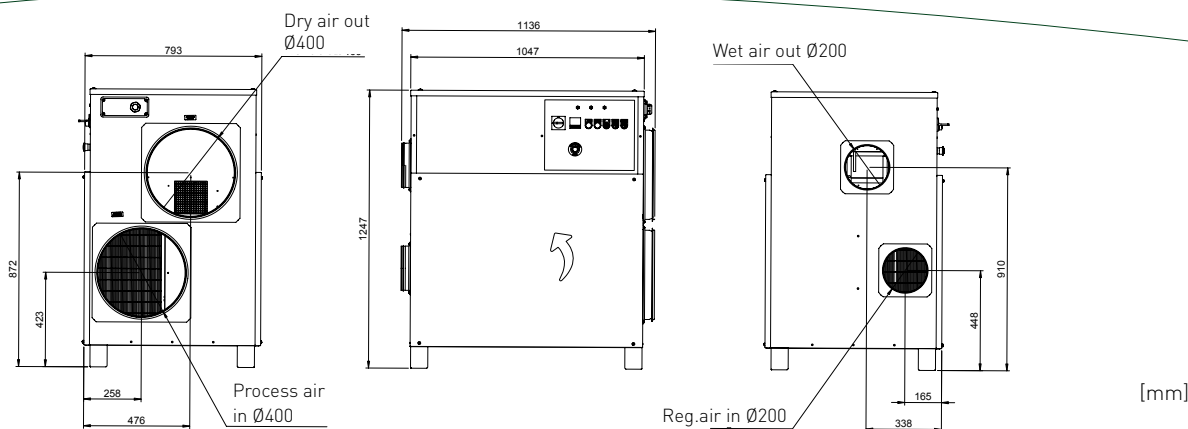


- ¹ Valid for inlet conditions 20°C/ 60%RH. For other inlet conditions the capacity can be calculated by using the correction diagrams shown below.
- ² Volume flow for density 1.20 kg/m³.
- ³ Available with electric heater or steam heater.

CORRECTION DIAGRAM



DIMENSIONS



Subject to change without notice. Download installation drawing at www.dst-sg.com

Seibu Giken DST AB

Avestagatan 33 | SE-163 53 Spånga, Sweden

Tel +46 8 445 77 20 | Fax +46 8 445 77 39

www.dst-sg.com | info@dst-sg.com