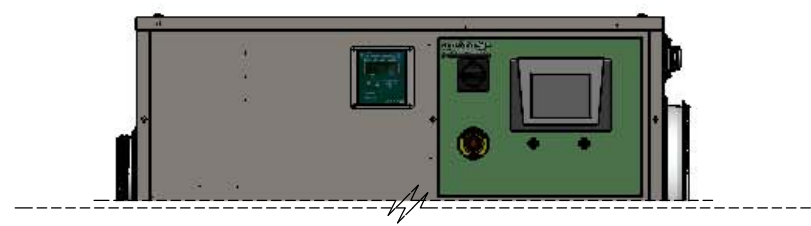
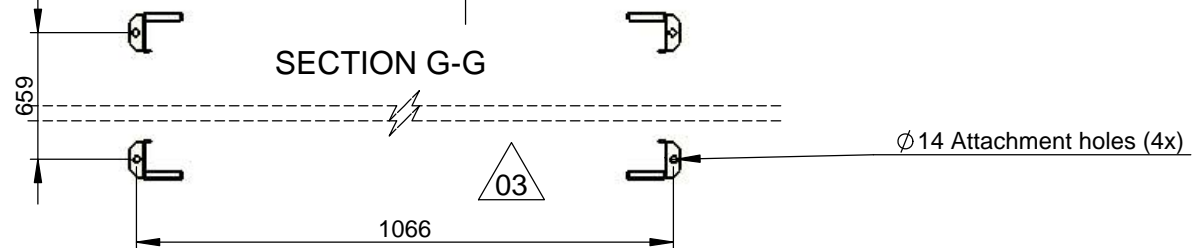


Panel mounted PLC C4 (Option)



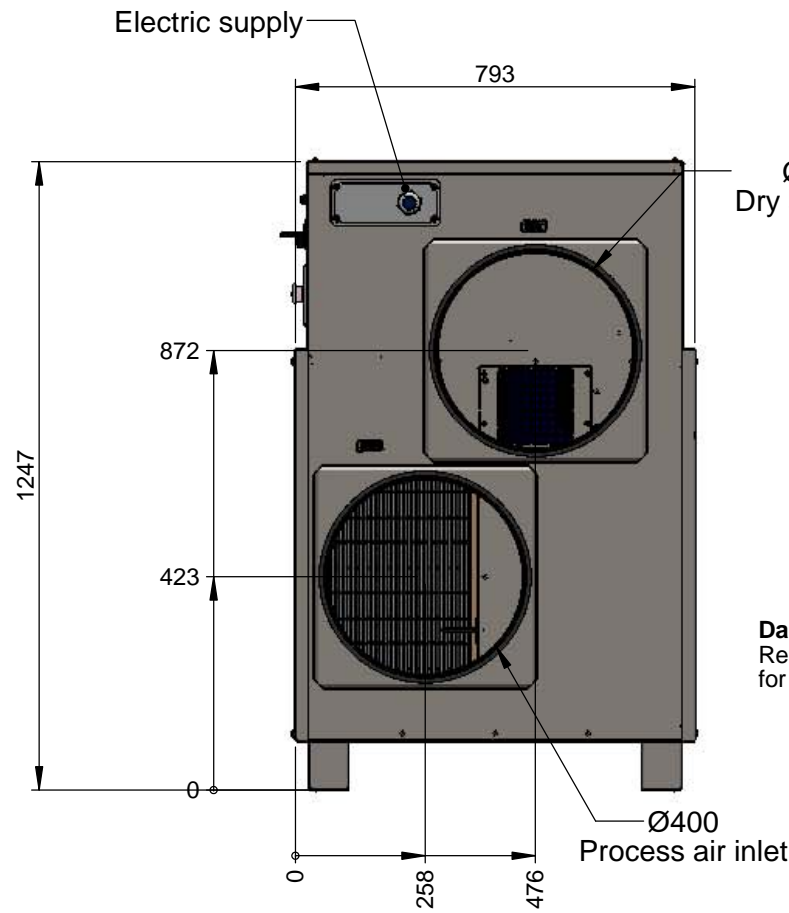
SECTION G-G



Packaging dimensions:
WxDxH = 1340x940x1400
Weight ~ 110 kg

Recommended reducers:
Ø250>Ø200

Recommended reducers (Dry air flow > 2500 m³/h):
Ø400<Ø500



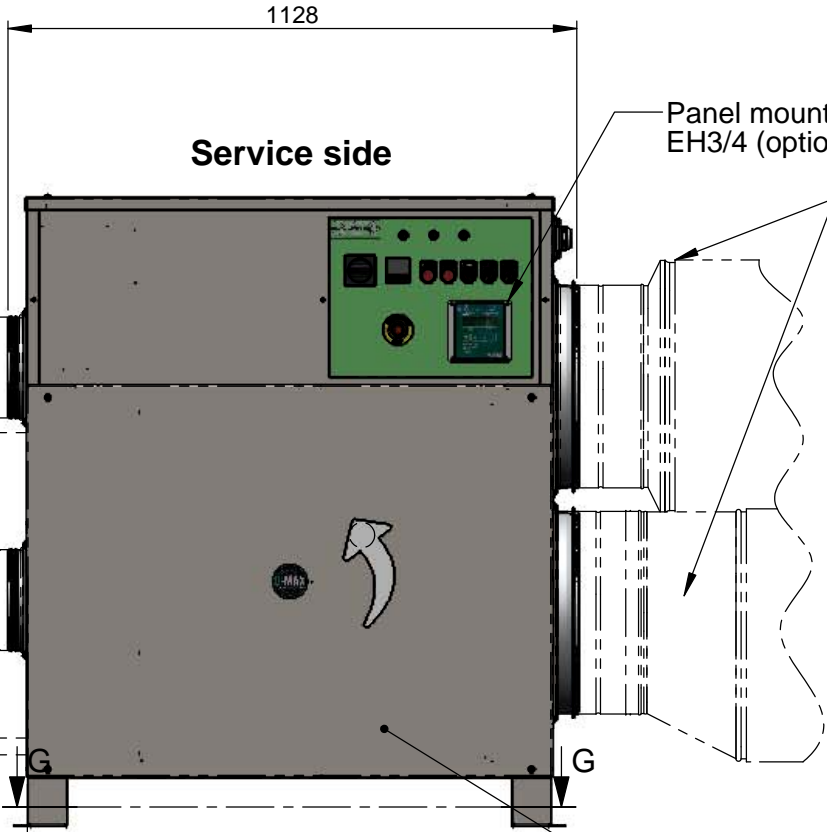
Ø400
Dry air outlet

Damper
Recommended
for optimal installation

Ø400
Process air inlet

138 (RL-71S)

Service side



Panel mounted
EH3/4 (option)

Removable front cover
Filter-, rotor- and rotor motor access

Ø200
Wet air outlet

Steam heater inlet
DN25
(RL-71S)

Steam heater outlet
DN25
(RL-71S)

Removable top cover
electrical cabinet access
600 mm service area above unit.

Ø200
Reg air inlet

910

798

448

158

0

590

338

165

0

REVISIONS

REV.	DESCRIPTION	DATE	APPROVED
01	Drawing layout improved	2012-12-17	EL
02	Drawing info added	2013-01-10	EL
03	Mass properties corrected and attachment holes view added.	2013-07-26	EL
04	Drawing updated to include heater options LR and S. Packaging dimensions and weight added.	2013-11-13	EL
05	Service area information added	2014-08-26	EL
06	Detail view added	2014-12-19	EL
07	New feet design. Option "PLC C4" added.	2015-11-02	EL

This document and its contents are the exclusive property of DST Seibu Giken and must not be copied, reproduced, transmitted or communicated to any other party or used for purposes not expressly permitted by us.



Service area = 1050 x 1000

05



Seibu Giken DST AB
+46 8 445 77 20
www.dst-sg.com

Designed by
Erik L
Date
2012-11-21

Drawn by
Erik L
Date
2012-11-21

Approved by
Date

Material
Thickness
t=

Status
Construction
Tolerance
ISO 2768-1m

Scale
1:15
Format
A3
Sheet/Sheet

Rev Part
00+
Weight (Kg)
195.000

Title/Description
Dimensionsritning
Dimension drawing

RL-71 R/R ICE/LR/S/S ICE

Drawing no
DST04470
Rev
07+

Drawing no
DST04470
Rev
07+

Drawing no
DST04470
Rev
07+

Drawing no
DST04470
Rev
07+