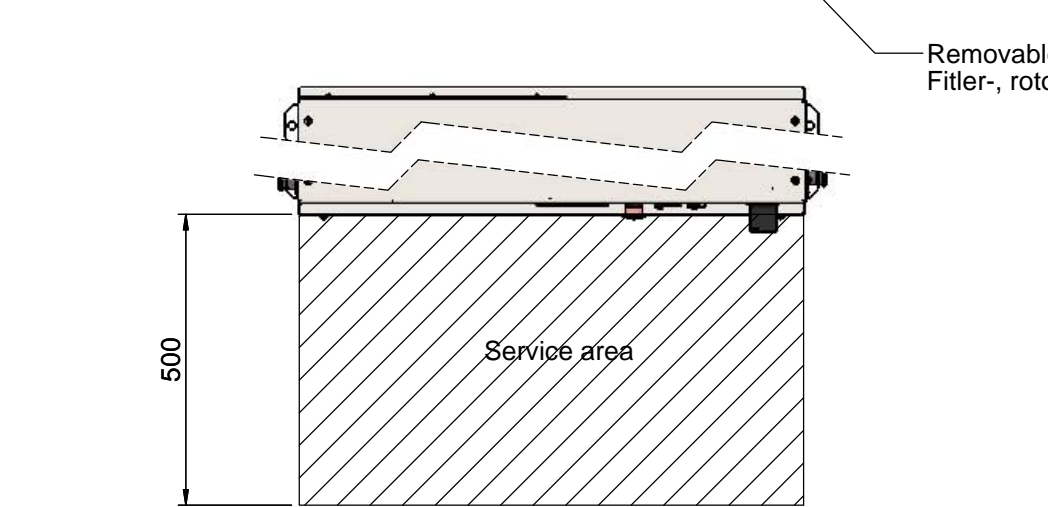
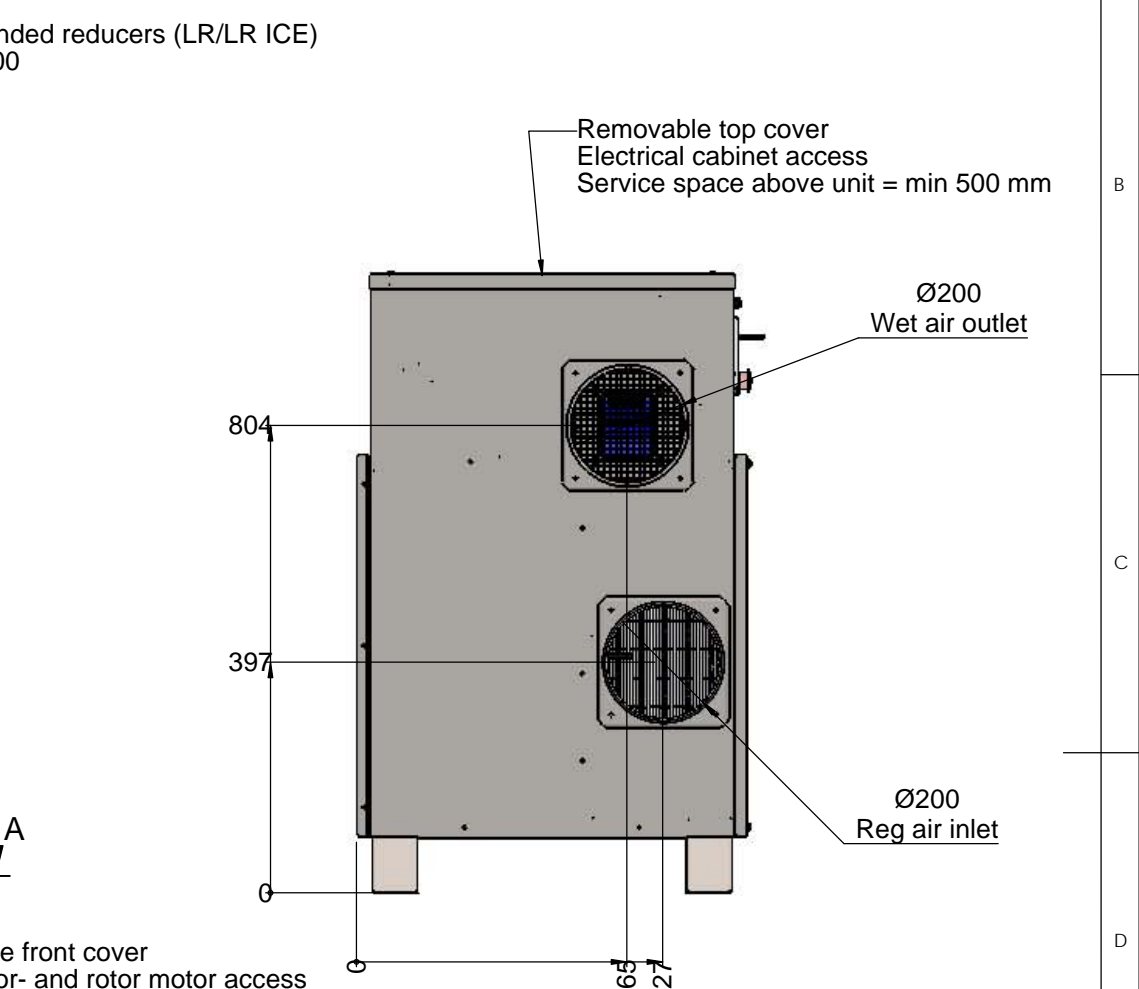
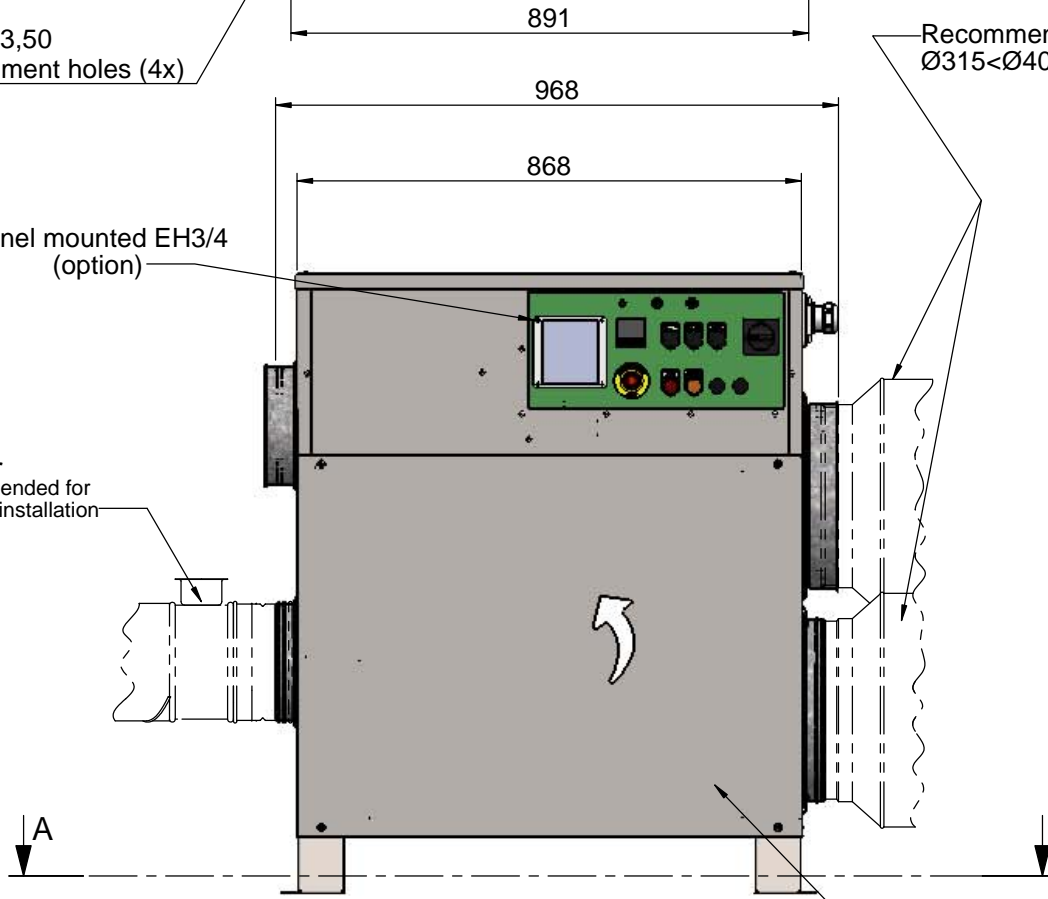
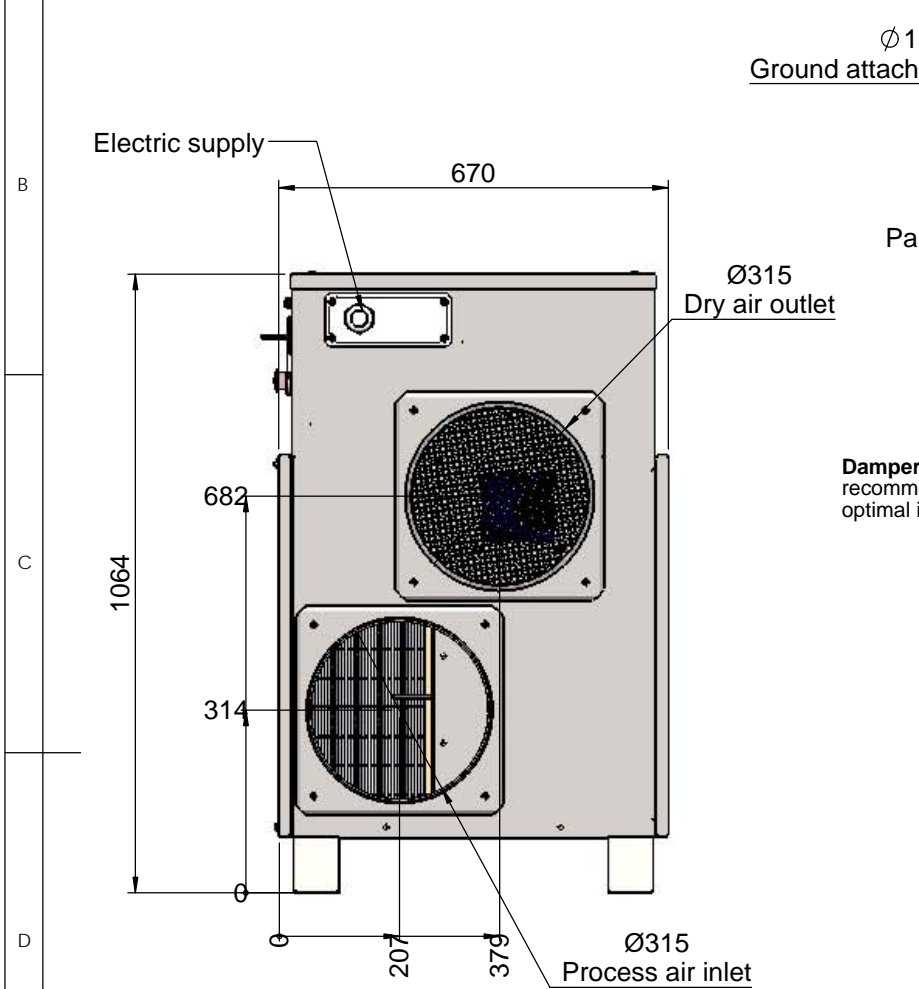
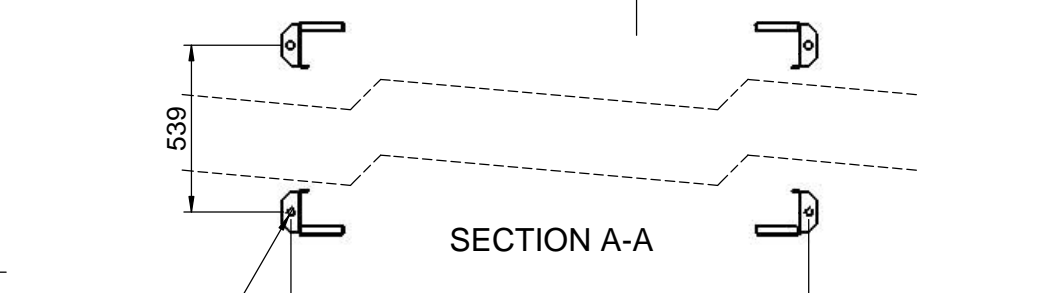
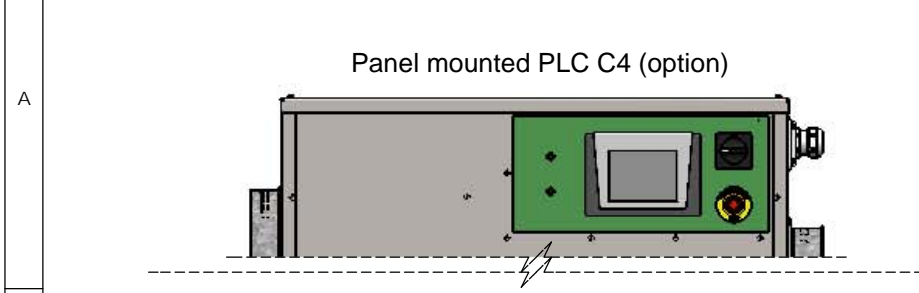



REVISIONS			
REV.	DESCRIPTION	DATE	APPROVED



Packaging dimensions:
 WxDxH = 1200x800x1250
 Weight ~ 135 kg

This document and its contents are the exclusive property of DST Seibu Giken and must not be copied, reproduced, transmitted or communicated to any other party or used for purposes not expressly permitted by us.



Designed by Erik L		Date 2014-03-28		Title/Description Dimensionsritning RL-61 Dimensional drawing
Drawn by Erik L		Date 2016-08-22		
Approved by -		Date -		RL-61R/R ICE/LR/LR ICE
Material -		Thickness t=		
Status Construction		Tolerance ISO 2768-1m		Drawing no DST05591
Scale 1:13	Format A3	Sheet/Sheet 1/1	Rev Part 00+	Weight (Kg) 125.000

Seibu Giken DST AB
 +46 8 445 77 20
 www.dst-sg.com

Rev
00+