

Dehumidifier Recusorb **RL-60R, 60LR**



Dehumidifying capacity at 20°C / 60%RH

4 - 5 kg/h

Dry air flow

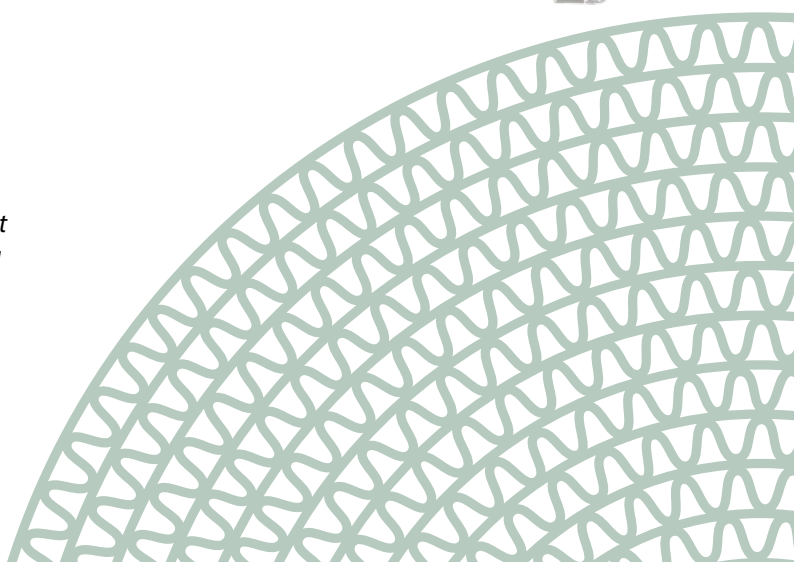
850 - 1000 m³/h

- Excellent performance in all climates
- Duct connection
- Built-in heat recovery
- Stainless steel chassis and panels
- Highly efficient D-MAX rotor
- Options:
 - Frequency inverter to control airflows
 - Linear capacity control
 - Panel mounted humidity / dew point controller
 - F7 filter
 - Insulated inlets to help prevent condensation



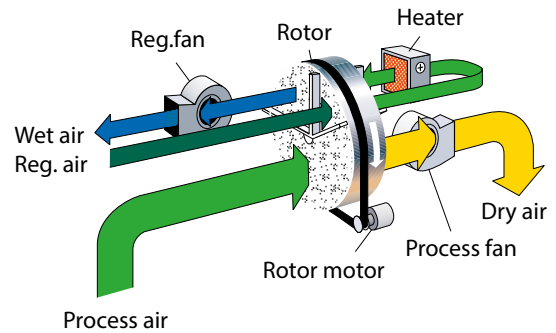
Section of a dehumidifier rotor from Seibu Giken. The high number of channels means that moisture is adsorbed with extra efficiency.

World leaders in dehumidification.



TECHNICAL DATA

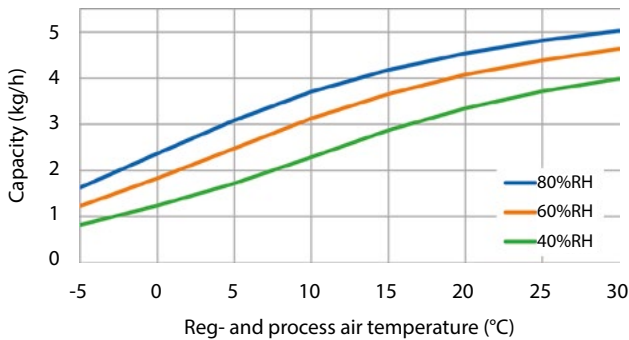
Dehumidifier model	RL-60R	RL-60LR
Nominal capacity ¹ (kg/h)	4,0	5,0
Dry air flow ² (m ³ /h)	850	1000
Static pressure at disposal (Pa)	450	300
Wet air flow ² (m ³ /h)	180	250
Static pressure at disposal (Pa)	300	200
Heater power (kW)	5,4	7,5
Total power (kW)	6,0	8,3
Supply fuse 3 x 400V 50Hz (A)	16	16
Weight (kg)	68	68



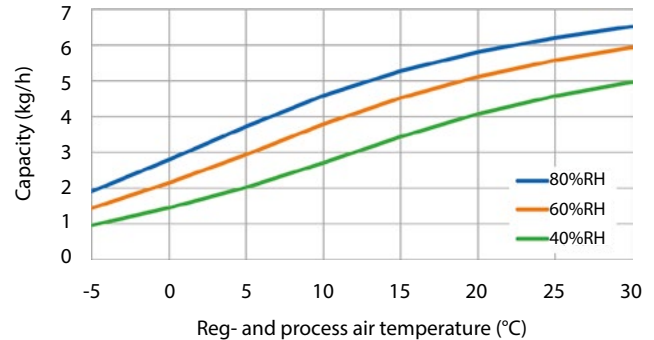
1. Valid for inlet conditions 20°C/60%RH. For other inlet conditions the capacity can be calculated by using the correction diagrams shown below.
2. Volume flow for density 1.20 kg/m³.

CORRECTION DIAGRAM

RL-60R

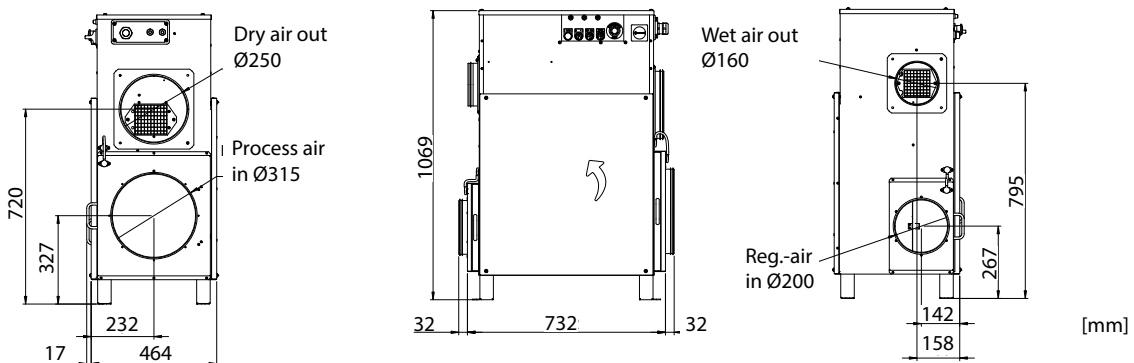


RL-60LR



DIMENSIONS

Subject to change without notice. Download installation drawing at www.dst-sg.com



Updated 24.07



Sweden | +46 8 445 77 20
info@dst-sg.com | www.dst-sg.com