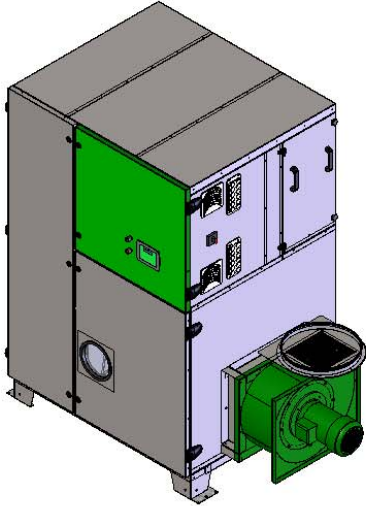
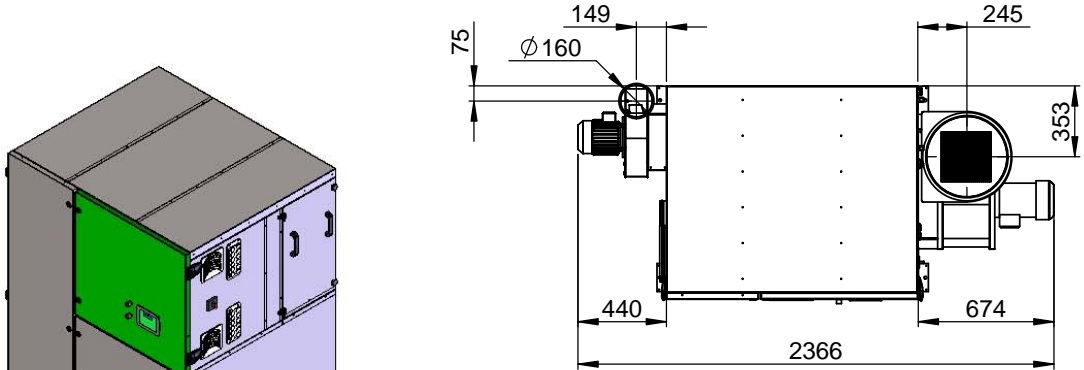
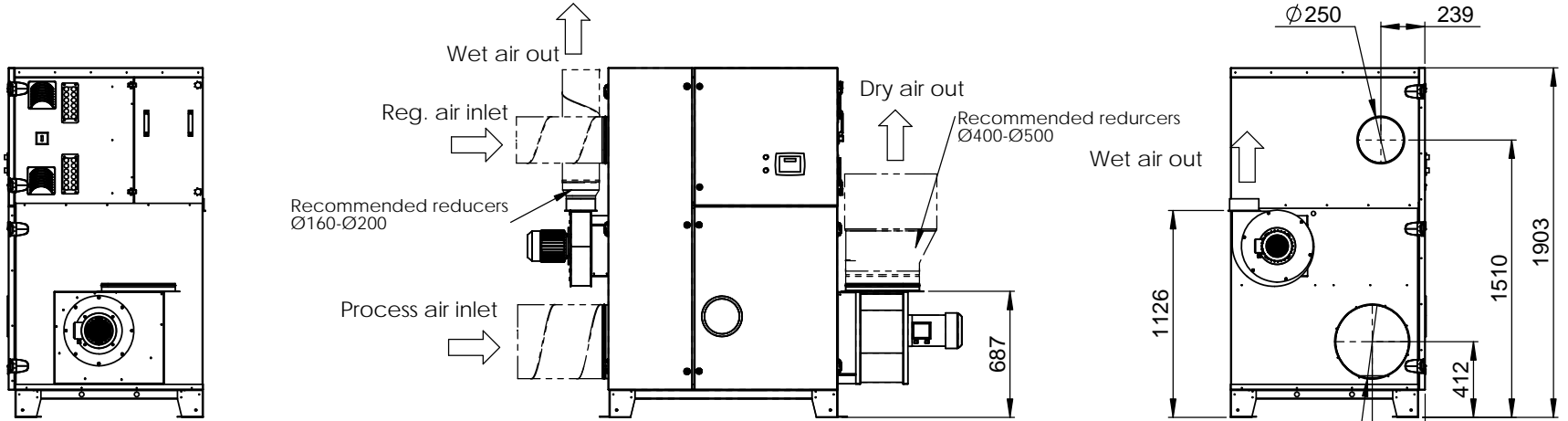


REVISIONS			
REV.	DESCRIPTION	DATE	APPROVED
01	Recommended reducers added	2013-10-29	KS



This document and its contents are the exclusive property of DST Seibu Giken and must not be copied, reproduced, transmitted or communicated in any form or by any means without the express permission of us.

		Designed by	Catarina S	Date	2011-04-04	Title/Description	Installationsritning CZ-82
		Drawn by	Catarina S	Date	2011-04-07		
Seibu Giken DST AB +46 8 445 77 20 www.dst-sg.com		Approved by	-	Date	-	Installation drawing	Drawing no
		Status	Construction	Tolerance	ISO 2768-1m		
Scale	1:25	Format	A3	Sheet/Sheet	1/1	Rev Part	01
Weight (Kg)	800.664						
						Thickness	t=
						Rev	01